

orion

series



shademakerTM
architectural shade

owner's manual

WARRANTY:

Upon receipt of your Orion, please check to ensure you have received all of the parts.

Our Limited Warranty is outlined below by individual styles.

5 Year Limited Warranty includes the Galaxy and Orion styles. This includes the mast, boom, head fitting, elbow, center pole, top and bottom hubs and stainless steel hardware only. If there is damage under the warranty, Shademaker will replace and/or repair any item listed in this category at its discretion.

10 Year Limited Warranty includes the Sunbrella® Awning & Marine Grade Fabric Collection. Visit www.sunbrella.com/warranty for more details. Labor charges are not covered under this limited warranty.

5 Year Limited Warranty also applies to O'bravia™ Awning Grade fabrics. Labor charges are not covered under this limited warranty.

1 Year Limited Warranty covers the powder coat finish on our steel bases. If the powder coat finish flakes, bubbles, peels or loses color; Shademaker will re-finish or replace the defective bases at its discretion. Normal wear and tear is not covered under this limited warranty.

Exclusions: Wind damage, acts of nature (such as, but not limited to, freezing or any type of extreme weather.) Normal wear and tear and failures caused by abusive use are not covered under this warranty.

Parts can be ordered under warranty at no charge, if found that the damage is a manufacture defect and/or purchased out of warranty to make them whole again.

Those filing warranty claims will be responsible for all shipping, handling and freight charges on all claims to Shademaker in Baldwin Park, CA. All warranty claims must be submitted with the original proof of purchase, date of purchase, name of dealer and the description of the damage. An authorized Shademaker RA# must be listed on all products being returned. The Shademaker warranty is not transferable. Shademaker reserves the right to repair, replace and/or redesign any product that is returned under a warranty claim.

IMPORTANT:

Please read this entire manual before installing or operating your Orion umbrella.

ORION WIND RESISTANCE GUIDELINES:

Moderate to Moderately Strong Winds (when mounted)

When installed properly, the Orion is engineered to handle moderate to moderately strong wind conditions in the open canopy position. Please adhere to these wind guidelines:

1. The Orion should always be left in the folded and strapped position when unattended or not in use.
2. In anticipation of, and during extremely severe weather conditions, it is advisable to remove and store the entire Orion structure to protect it from storm-related debris.

SPECIFICATIONS



ORION Shape	2.7m / 8'9"	3.0m / 9'9"	3.0m / 9'9"	3.5m / 11'5"	4.0m / 13'1"
A Winder Height	3'1"	3'1"	3'1"	3'1"	3'1"
B Overall Width	9'6"	10'6"	9'4"	11'4"	12'3"
C Hub Height	6'8"	7'	6'7"	7'2"	7'1"
D Arm Height	6'9"	6'11"	7"	7'4"	7'4"
E Overall Height	9'3"	9'7"	8'11"	9'4"	9'10"
F Canopy Height (closed)	2'4"	1'9"	3'6"	2'9"	2'6"
G Overall Width (closed)	5'9"	6'2"	5'4"	6'3"	7'3"

Weight: Approximately 78-103 lbs.
 Mast Shape & Diameter: 2.75" x 4.375" oval
 Mast Thickness: 0.125"
 Arm Thickness: 0.0625"

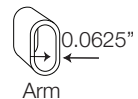
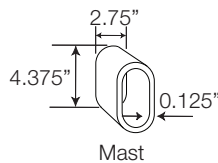
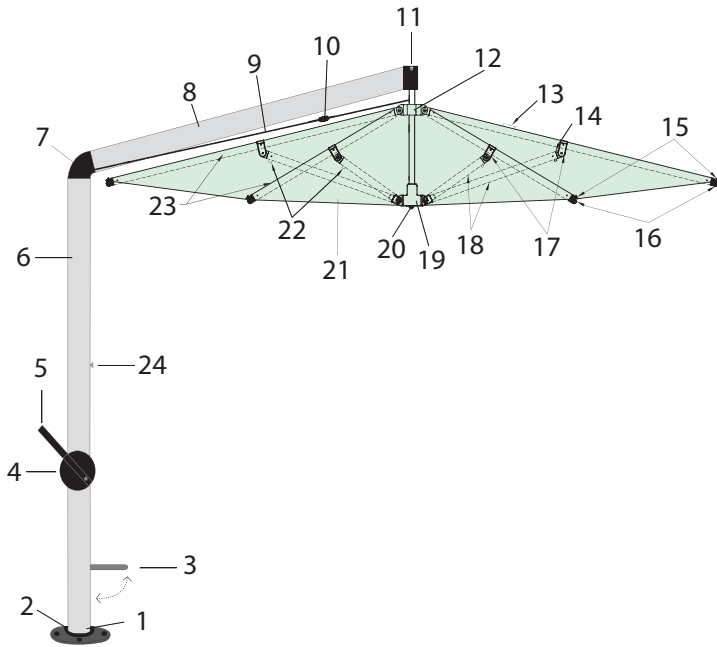


DIAGRAM & LEGEND



- | | | |
|-------------------|-----------------------|-----------------------|
| 1. Internal Stem | 9. Stainless Wire | 17. Arm Strop |
| 2. Acetal Ring | 10. Sister Clip | 18. Strut |
| 3. Turning Handle | 11. Heading Fitting | 19. Lower Hub |
| 4. Crank | 12. Upper Hub | 20. Light Adapter |
| 5. Crank Handle | 13. Canopy Bracket | 21. Canopy |
| 6. Mast | 14. Small Arm Fitting | 22. Spacer Button |
| 7. Elbow | 15. Canopy Button | 23. Canopy Arm (long) |
| 8. Boom | 16. Arm End Fitting | 24. Sister Clip Stud |

*Adapter Plate A included and only to be used with mount kits. Free standing BC05M steel base frames do not need adapter plate slots to square up with umbrella.

INSTALLATION OPTIONS AND GUIDELINES

There are three standard installation options which provide the best stability for the Orion. Depending on your situation, you will have requested one or more of the Orion Mounting Kits at the time of your order. Either the Concrete Mount Kit or In-Ground Mount Kit.

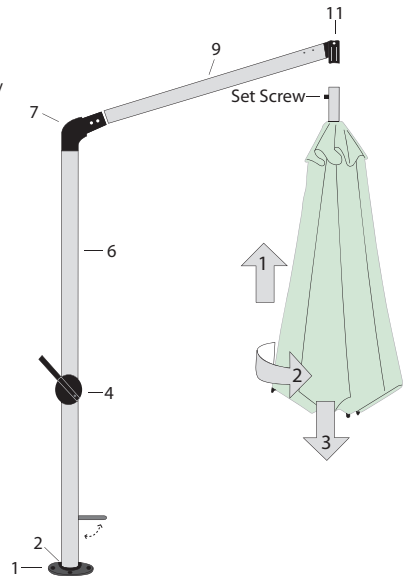
- 1. CONCRETE MOUNT KIT** - This kit includes a base plate, four (4) plate bolts, and one (1) allen wrench.
- 2. IN-GROUND MOUNT KIT** - This kit includes in-ground fitting, four (4) plate bolts, and one (1) allen wrench.
- 3. FREE STANDING STEEL FRAME** - You may opt to use a free standing base for your Orion umbrella. We recommend a minimum of a 350-500lbs. base weight for this umbrella (depending on the size of your umbrella). **NOTE:** If using a free-standing steel frame, wind guidelines change from light to moderate winds to light winds only.

NOTE: REFER TO BASE WEIGHT GUIDE AND A SEPARATE MANUAL FOR BASE ASSEMBLY PRIOR TO PROCEEDING.

ASSEMBLY INSTRUCTIONS

Two-person team is recommended for assembly.

1. Unpack the Orion and lay it out on the ground as in the drawing, assuring the crank (4) is facing upwards.
2. Fasten the boom (9) to the elbow (7) by inserting and tightening the four screws provided (two on each side).
3. Lift the entire mast and boom and align countersunk holes on stem of umbrella with threaded holes on base plate(s) or mount kit.
4. Use 4mm hexagon wrench to tighten 3 M6 bolts on mast to internal stem. See below.
5. Connect the sister clip on canopy structure on the clip on the stainless wire.
6. Slide the canopy structure into the head fitting (11) by aligning the set screw on the top of the canopy structure with the slot in the head fitting (11). May need to loosen cord. Turn 90° and secure.



OPERATING INSTRUCTIONS

To open the canopy:

1. Undo the strap and turn the crank handle in clockwise direction until fully opened.

To close the canopy:

1. Turn crank handle counter-clockwise and continue winding until canopy is lowered, strap canopy.



Closed position

Open position

To rotate 360°:

1. There are 10 holes at the top of the internal stem. Raise the turning handle and rotate mast to one of the 10 preset positions.
2. Lower handle to lock into place.



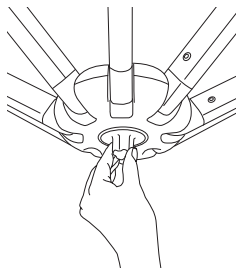
To properly remove the canopy structure:

1. Lower the canopy to the closed position.
2. Disconnect sister clips on canopy structure from the clip on stainless wire.
3. Turn canopy structure 90° and slide out of head fitting.
4. Store away canopy structure.
5. Secure loose end of sister clip to sister clip stud.

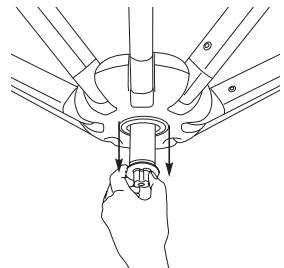
LIGHT ADAPTER

To open light adapter:

Loosen light adapter built into the umbrella runner by turning counter-clockwise. After loosening, pull down light adapter post and attach umbrella light (sold separately).



Turn counter-clockwise to open



Pull down to open

To close light adapter:

Gently push up the light adapter post back into umbrella runner and tighten turning clockwise **NOTE:** It is not necessary to remove light to close umbrella.

TO PROPERLY FOLD CANOPY

The 100% solution dyed canopy will last longer if you fold it as it was packed and shipped. This technique is similar to the way a parachute is folded and is especially important when folding the canopy for seasonal storage or when the Orion is closed position for an extended period of time.

Using this technique at all times will significantly extend the life of the canopy.

1. When the canopy has been fully lowered, stand in front of the canopy structure and begin the folding process by pulling out two panels opposite the mast. Pull the two panels together and roll tight into the canopy.
2. Once rolled tight, pull adjacent panels out one at a time and fold to the center, alternating sides until all the panels have been pulled out from the arms and folded into the center.
3. Strap the canopy to the mast with the strap.

PROTECTIVE COVER

1. Screw rods together and insert into slit of the cover.
2. Unzip cover.
3. Using the rod as a guide, slide cover over your umbrella.
4. Attach rod with key ring to the zipper.
5. Pull on string to zip down your cover and tie.

MAINTAINING FRAME & FITTINGS

1. Hose mast and frame with water periodically, more often if installation is in a salty or industrial environment.
2. Inspect the installation fitting on a regular basis and tighten if necessary.

MAINTAINING CANOPY FABRIC

1. Clean up spills and stains right away. Spills can be removed by using a clean, absorbent cloth.
2. For general maintenance, use a soft brush to remove dust and dry soil or wash down with clean, warm water (i.e. garden hose) every so often so dirt does not become engrained. Allow the fabric to dry naturally before closing the canopy.
3. If a thorough cleaning is necessary, sponge over the fabric using a mild soap solution (2% solution). Rinse well with plenty of water to remove all soap residue.
4. Never use detergents, cleaning fluids, or solvents. Grease and oil stains may be removed by using turpentine or similar with an absorbent cloth.
5. We recommend giving the canopy a good clean on a more frequent basis if installed in a location where the canopy is likely to become soiled.

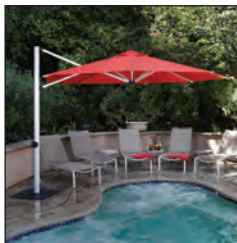
REMOVAL & REPLACEMENT OF CANOPY

Follow these instructions should you choose to replace your canopy with a new canopy.

1. Lower the canopy to the closed position.
2. Remove canopy structure from head fitting. Disconnect sister clip.
3. Velcro at connection of main arm.
4. Remove the button/screw at the end of each arm.
5. Remove the canopy from the structure.
6. To replace the canopy, reverse the above process.

OTHER SHADEMAKER STYLES AVAILABLE

Side Posts



Sirius



Polaris



Galaxy

Center Posts



Libra



Astral-TC

Beam Mount



Nova

shademaker

13401 Brooks Drive
Baldwin Park, CA 91706
p 626.338.8810
f 626.338.8816
info@shademakerusa.com

shademakerusa.com